

MODEL: I I I LAL



cartwright

LIGHTING & FURNITURE

PARK

LIGHTING & FURNITURE

Model: ILLAL

Structure: Plywood and solid wood

Seat: Elastic Webbing

Seat Cushion: High resilient foam

Back Cushion: High resilient foam

Cushion removable: No

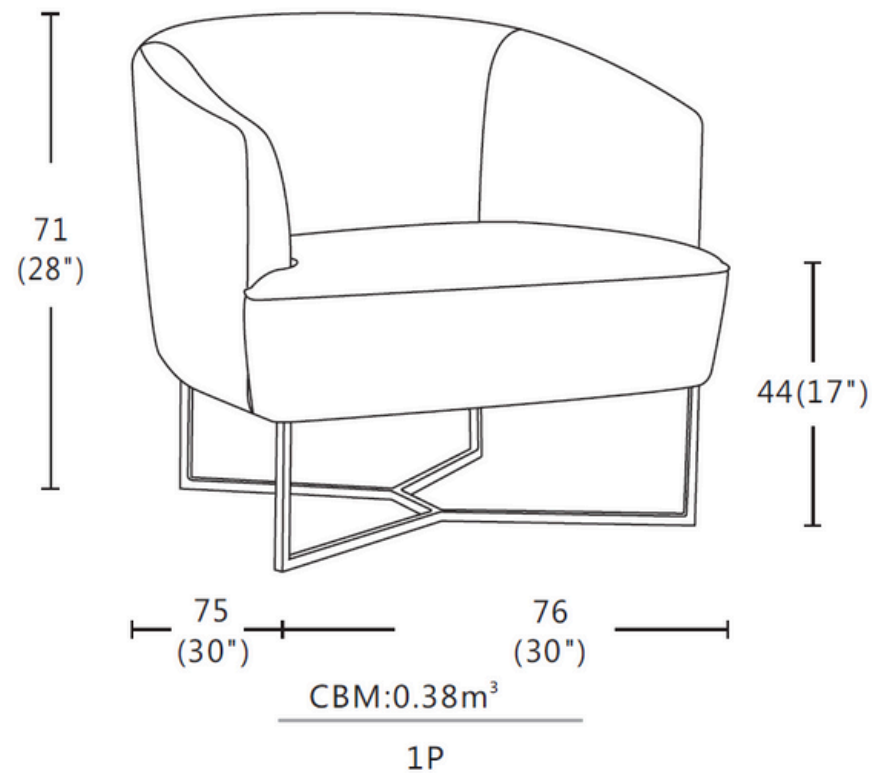
Legs: Metal frame

Feet Disassembly: No

Upholstery: Atollo Greige Leather

Seat Height: 17"

Overall Dimensions: 30"L x 30"D x 28"H



cartwright

LIGHTING & FURNITURE

PARK

LIGHTING & FURNITURE