

MODEL: 161AEB



**cartwright**  
LIGHTING & FURNITURE

**PARK**  
LIGHTING & FURNITURE

Model: 161AEB

Construction: Matte black steel frame,  
foam seat and back cushion

Function: Adjustable hydraulic stool

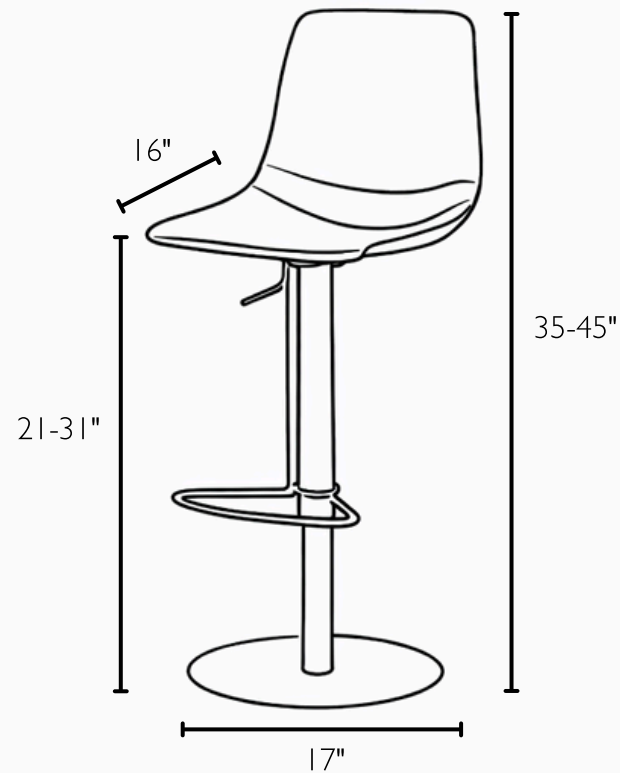
Upholstery: Black leatherette

Seat Height: 21-31"

Seat Depth: 15"

Overall Dimensions: 17"w x 16"d x 35-45"h

Weight: 36 lbs



**cartwright**

LIGHTING & FURNITURE

**PARK**

LIGHTING & FURNITURE