

MODEL: 079NUP



cartwright
LIGHTING & FURNITURE

PARK
LIGHTING & FURNITURE

Model: 079NUP

Upholstery: Deep green, 100% polyester

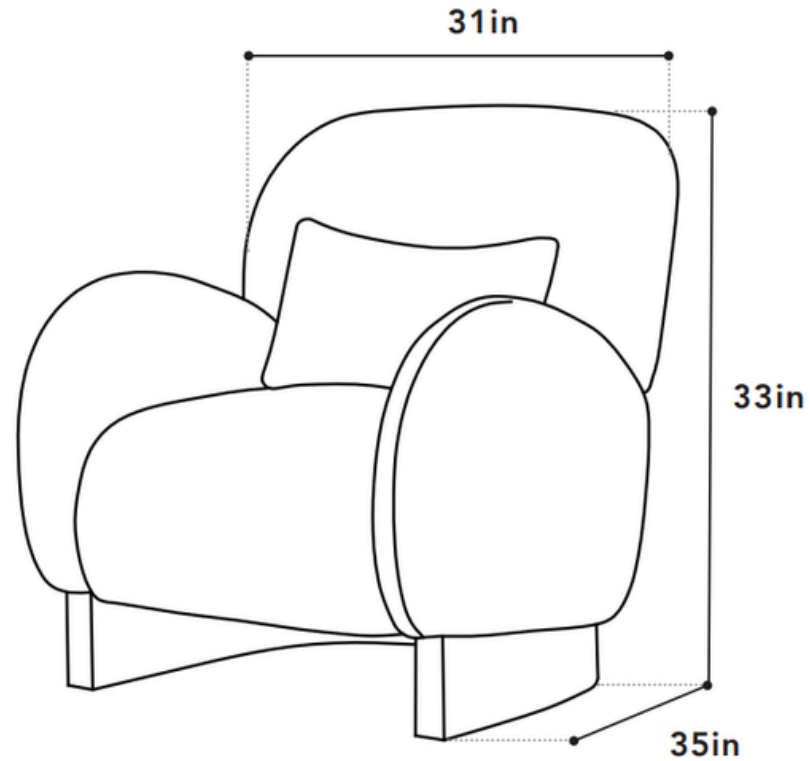
Legs: American Ash

Seat Height: 18"

Seat Depth: 26"

Overall Dimensions: 31"w x 35"d x 33"h

Weight: 68 lbs



cartwright

LIGHTING & FURNITURE

PARK

LIGHTING & FURNITURE